

For Product Step File or 3D Model Send a Request Mail To info@nrack.com

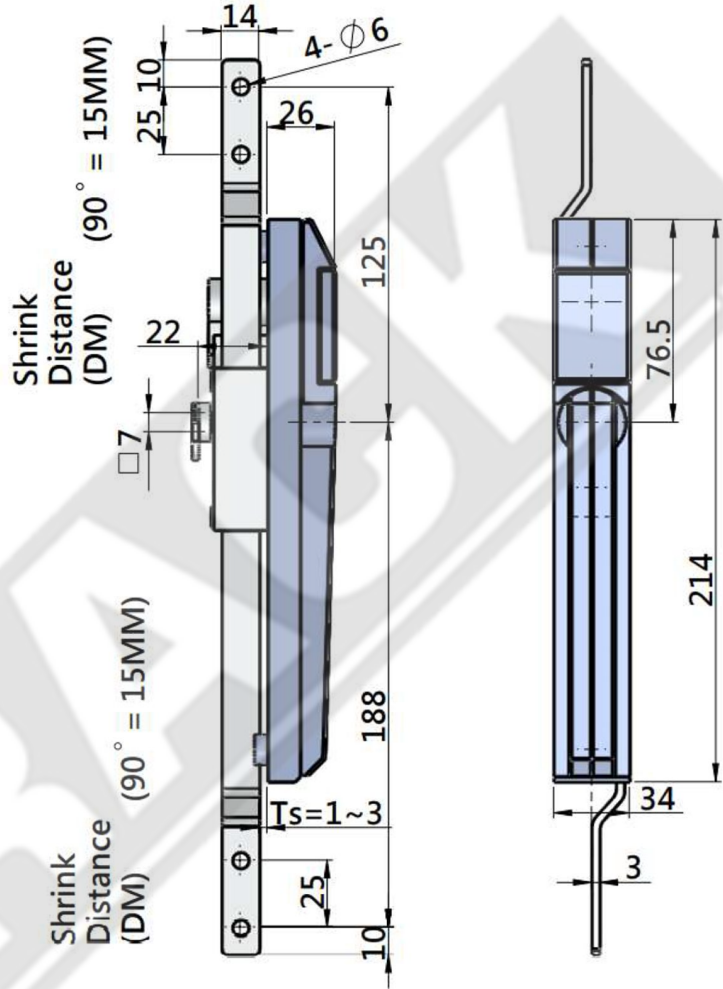


## MS 4086Z-1-1B-CH

Photo View

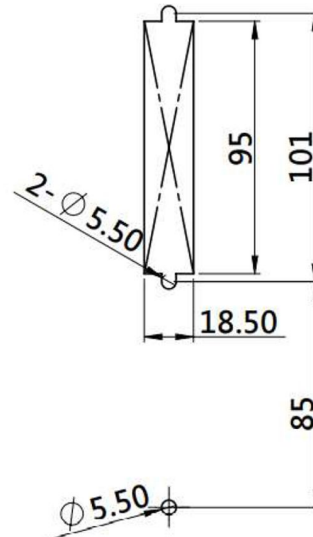


RAL7035 & Grey Chrome Color Available



## MS 4086Z-1-1B

3D Rendered View



PANEL CUTOUT

- Material: Zinc alloy housing , back , cover and shaft, A3 Steel cam
- Finish: Silver painting housing, black powder coated handle.
- Panel thickness: 1~3mm
- Remark: Cam Cutout 7 × 7
- Others: Change the position of rod and cam to open the door by left or right